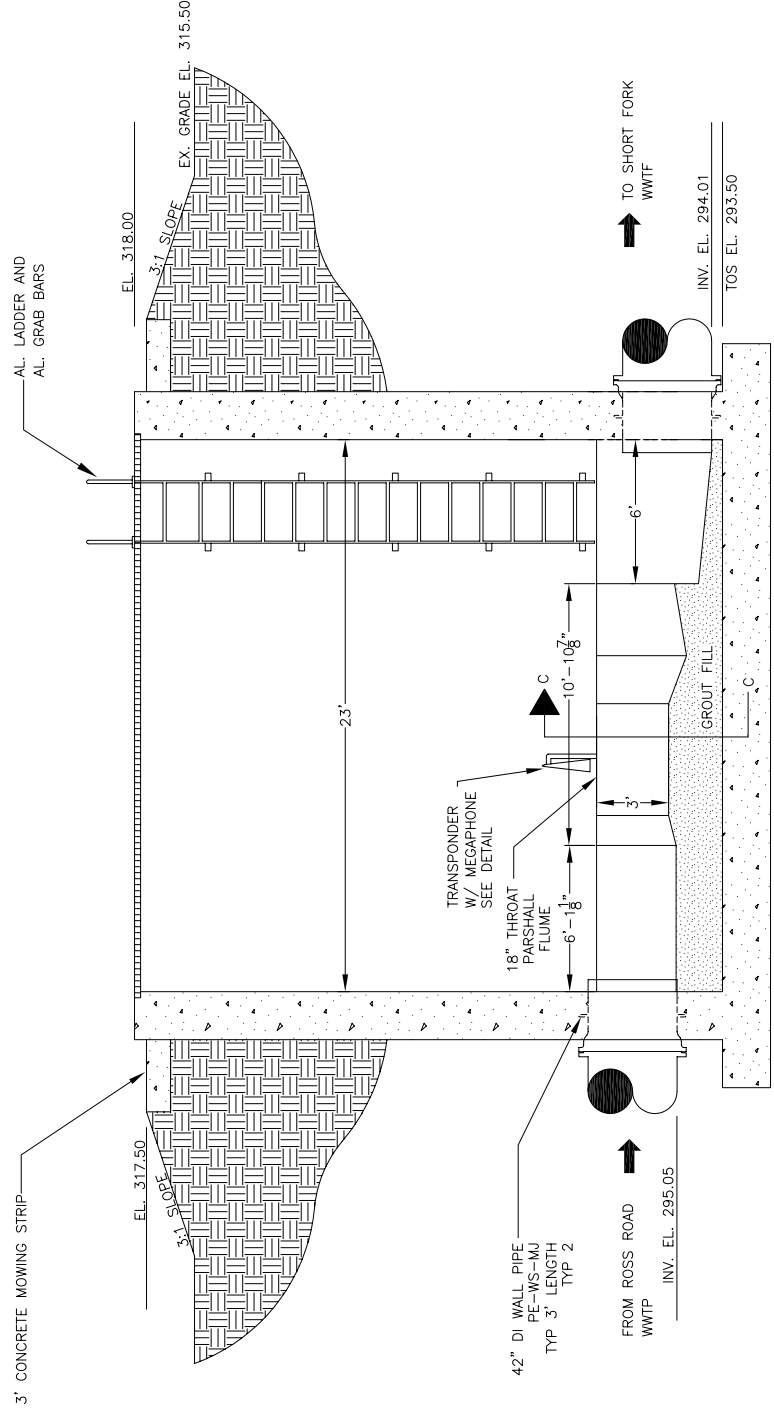
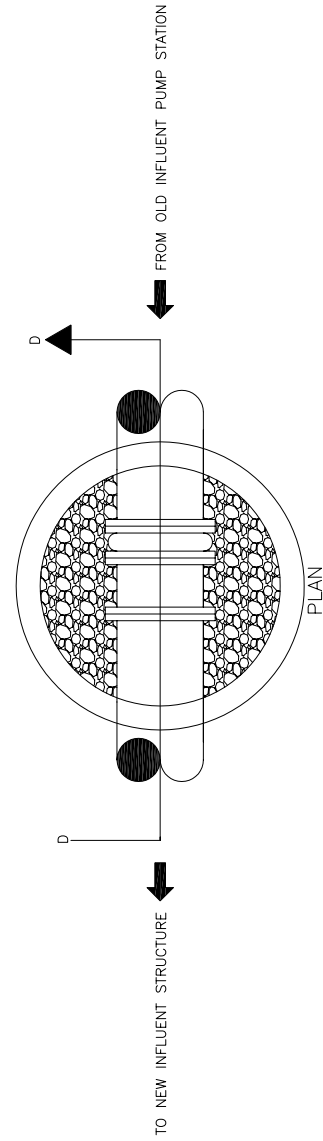
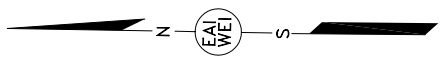


PLAN

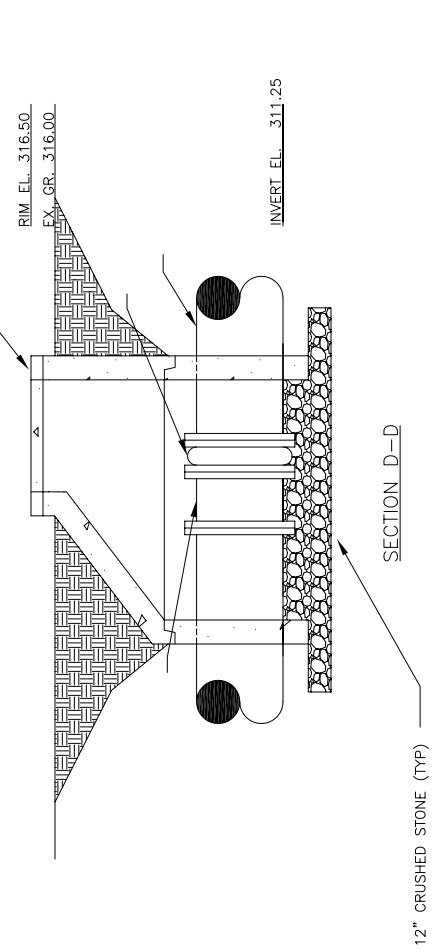


SECTION B-B

ROSS ROAD FLOW METERING STATION
SCALE: 1/4"=1'

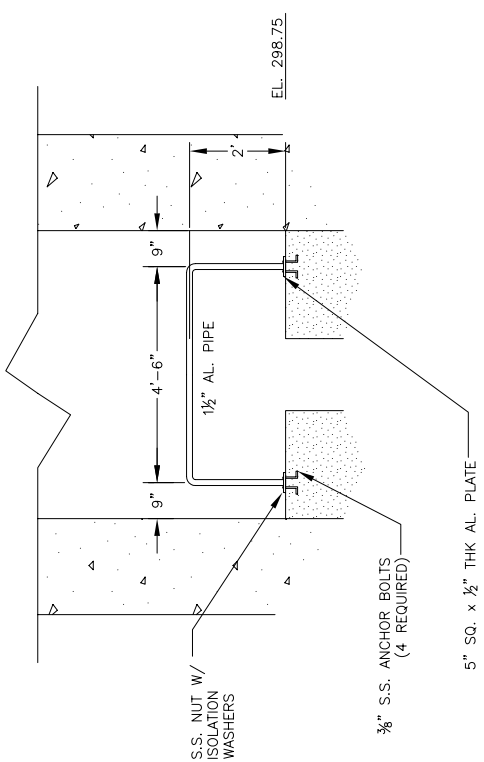


PLAN

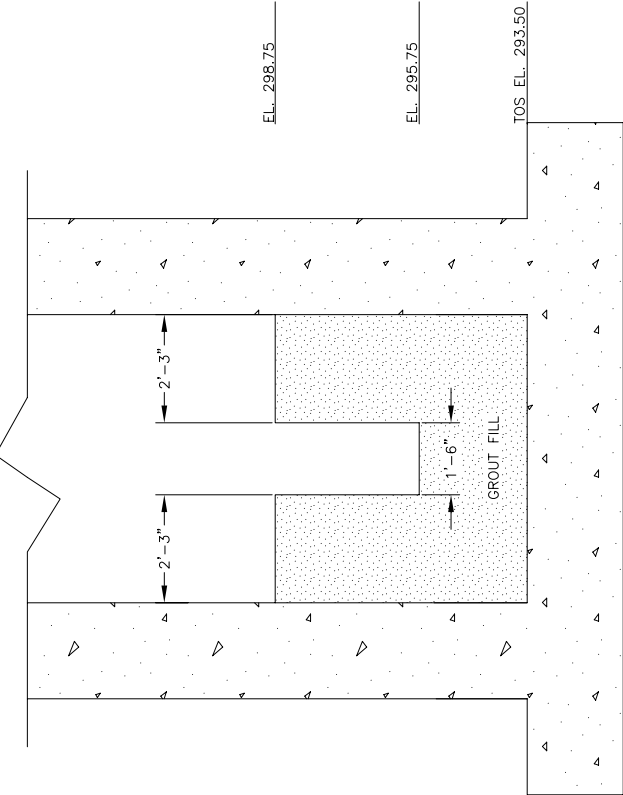


SECTION D-D

EFFLUENT METERING MANHOLE
SCALE: 1/2"=1'



TRANSPOUNDER SUPPORT DETAILS
SCALE: 1/2"=1'



SECTION C-C
SCALE: 1/2"=1'

NO.	DATE	BY	APP'D	CHECKED	DRAWN	DATE

DESIGNED		DATE
TMH	TMH	OCTOBER 2003
DRAWN		SCALE
TMH	TMH	AS NOTED
CHECKED		JOB NO.
CMH	CMH	16535.05



100% SET

DESOTO COUNTY REGIONAL UTILITY AUTHORITY
UPPER CAMP CREEK INTERCEPTOR NORTH
DESOTO COUNTY, MISSISSIPPI



ROSS ROAD FLOW METERING STATION

PROJECT NO.	16535.05
CONTRACT	1
SHEET	C3.03